



MASTERPAC[®]
Professional Compaction

FORWARD PLATE COMPACTOR



PC70

60kg/137lb

PC90

85kg/187lb

PC110

102kg/125lb



PC3008 Series

53kg/117lb

PC3610 Series

61kg/134lb

PCL4015

74kg/163lb



PC4012 Series

85kg/187lb

PC4515 Series

90kg/198lb

PC5018 Series

113kg/249lb

PC5021 Series

115kg/254lb

FORWARD PLATE COMPACTOR

PC3008/PC3610/PC4515/PC5018/PC5021 SERIES



Features

- Solid, high strength steel base plate with curved edges provides top performance.
- Cast Iron wear resistant lubricated vibrator assembly.
- Robust design sealed belt cover for clutch and belt protection.
- Anti vibration removable flip over handle for easy transportation.
- Solid engine frame with lifting eye protects engine against dirt and damage makes and for easy transportation.
- Sturdy protected throttle lever.
- Optional transport wheel for easy transportation around sites.
- Optional water tank for asphalt use.
- Optional polyethylene pad for paving applications also available.
- Powered by gasoline as HONDA, ROBIN, and diesel as LOMBARDINI, HATZ.



Cast Iron wear resistant lubricated vibrator assembly.



Foldable handle for easy transportation



PCV series with vib-free handle



Sturdy protected throttle lever.

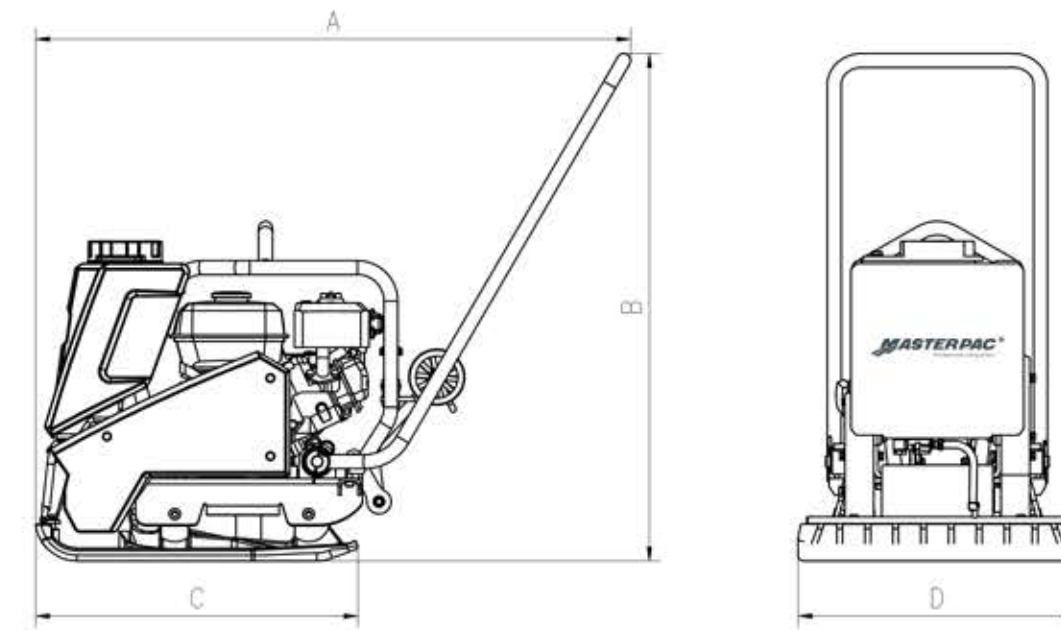


FORWARD PLATE COMPACTOR PC70/PC90/PC110 SERIES

Ideal for all general applications- curbs, gutters, around tanks, forms, columns, footings, landscaping, paving blocks, drainage ditches, and light to medium road repair work.



Model	A	B	C	D
PC70	1010/39.7	910/35.8	531/20.9	360/14.2
PC90	1045/41.1	919/36.2	568/22.4	400/15.7
PC110	1050/41.3	920/36.2	570/22.4	500/19.7



Technical Specification

Model	PC70H PCV70H	PC90H PCV90H	PC110H PCV110H
Engine Type	Honda GX120	Honda GX160	Honda GX160
Power kw(hp)	2.6(3.5)	4.0(5.5)	4.0(5.5)
Weight kg(lb)	62(137)	85(187)	102(225)
Plate Size L X W cm(in)	50 x 36 (21 x 14)	57 x 40 (22 x 16)	57 x 50 (22 x 20)
Centrifugal Force kN	10	15	20
Vibration Frequency vpm(Hz)		95	
Travel Speed m/min(ft/min)		25(82)	

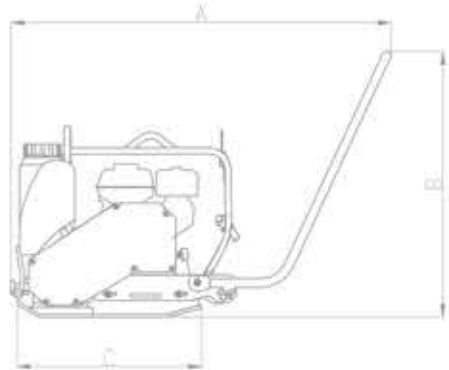
*We reserve the right to improve or withdraw the specification or product without prior notice.

FORWARD PLATE COMPACTOR

PC3008/PC3610/PC4515/PC5018/PC5021 SERIES

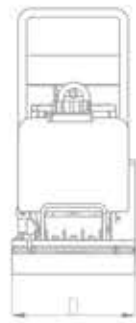


Working Size(mm/in)



Working Size(mm/in)

Model	A	B	C	D
PC3008 Series PCV3008 Series	860/34	860/34	860/34	860/34
PC3610 Series PCV3610 Series	868/34	920/36	516/20	360/14
Pc4012 Series PC4012 Series	1030/40	970/38	565/22	400/16
PC4515 Series PCV4515 Series	1070/42	940/37	565/22	450/18
Pc5018 Series PCV5018 Series	1045/41	945/37	565/22	500/20
Pc5021 Series PCV5021 Series	1065/41.9	950/37	565/22	500/20



Option



- T - Water tank for asphalt compaction
- M - Rubber mat for pavement
- W - Transport wheel for easy transport

Technical Specification

Model	PC3008H PCV3008H	PC3610H PCV3610H	PC3610R PCV3610R
Engine Type	Honda GX100	Honda GX160	Robin Ex17
Power kw(hp)	2.2(3.0)	4.0(5.5)	4.2(5.7)
Weight kg(lb)	53(117)	61(134)	61(134)
Plate Size L X W cm(in)	50x30(20x12)	49x36(19x14)(Cast iron plate available)	
Centrifugal Force kN	8	10	
Vibration Frequency vpm(Hz)	5900(98)	5900(98)	
Travel Speed m/min(ft/min)	20(66)	20(66)	

*We reserve the right to improve or withdraw the specification or product without prior notice.

Technical Specification



Model	PC4012H PCV4012H	PC4012R PCV4012R	PC4012L PCV4012L	PC4012A PCV4012A
Engine Type	Honda GX160	Robin EX17	Lombardini LD225	Hatz 1B20
Power kw(hp)	4.0(5.5)	4.2(5.7)	3.5(4.8)	3.5(4.8)
Weight kg(lb)	85(187)	85(187)	98(216)	98(216)
Plate Size L X W cm(in)	57x40(22x16)(Cast iron plate available)			
Centrifugal Force kN	12			
Vibration Frequency vpm(Hz)	5400(90)			
Travel Speed m/min(ft/min)	22(72)			



Model	PC4515H PCV4515H	PC4515R PCV4515R	PC4515L PCV4515L	PC4515A PCV4515A
Engine Type	Honda GX160	Robin EX17	Lombardini LD225	Hatz 1B20
Power kw(hp)	4.0(5.5)	4.2(5.7)	3.5(4.8)	3.5(4.8)
Weight kg(lb)	90(198)	90(198)	103(227)	103(227)
Plate Size L X W cm(in)	57x45(22x20)(Cast iron plate available)			
Centrifugal Force kN	15			
Vibration Frequency vpm(Hz)	5400(90)			
Travel Speed m/min(ft/min)	24(78)			



Model	PC5018H PCV5018H	PC5018R PCV5018R	PC5018L PCV5018L	PC5018A PCV5018A
Engine Type	Honda GX160	Robin EX17	Lombardini LD225	Hatz 1B20
Power kw(hp)	4.0(5.5)	4.2(5.7)	3.5(4.8)	3.5(4.8)
Weight kg(lb)	113(249)	113(249)	126(278)	126(278)
Plate Size L X W cm(in)	57x50(22x20)			
Centrifugal Force kN	18			
Vibration Frequency vpm(Hz)	5400(90)			
Travel Speed m/min(ft/min)	20(66)			



Model	PC5021H PCV5021H	PC5021R PCV5021R	PC5021L PCV5021L	PC5021A PCV5021A
Engine Type	Honda GX160	Robin EX17	Lombardini LD225	Hatz 1B20
Power kw(hp)	4.0(5.5)	4.2(5.7)	3.5(4.8)	3.5(4.8)
Weight kg(lb)	115(254)	115(254)	128(282)	128(282)
Plate Size L X W cm(in)	57x50(22x20)			
Centrifugal Force kN	21			
Vibration Frequency vpm(Hz)	5400(90)			
Travel Speed m/min(ft/min)	22(72)			

*We reserve the right to improve or withdraw the specification or product without prior notice.